

**MATERIAL:**

CHOOSE YOUR COLOR: \_\_\_\_\_ KYNAR FINISH

TYPE CUSTOM COLOR: \_\_\_\_\_ KYNAR FINISH

**Available Gauges Below:**

- 24 GA. GALVALUME     .040 ALUMINUM ③     .063 ALUMINUM ③
- 22 GA. GALVALUME ③     .050 ALUMINUM ③

TYPE QUANTITY: \_\_\_\_\_ LINEAR FT (10'-0" LENGTHS)

**NOTES:**

- ① INCLUDES 20 GA. GALV. CONTINUOUS CLEAT (10'-0") . FASTENERS INSTALLED 12" O.C.
- ② MAXIMUM TESTED INSIDE FACE IS 6"
- ③ MINIMUM QUANTITY ON CERTAIN ITEMS.
- ④ WALL SIZE INCLUDES THE MEMBRANE FLASHING THICKNESS

**AUTHORIZED SIGNATURE:**

APPROVED BY: \_\_\_\_\_

DATE: \_\_\_\_\_

**CERTIFICATIONS:**



**ES1 TESTED & CERTIFIED**

.040" Aluminum = 170 PSF  
24 GA Steel = 120 PSF

**ACCESSORY QUANTITIES:**

IMAGES ARE ON 2ND PAGE

- OUTSIDE MITER CORNER
- RIGHT ENDWALL (COPING)
- INSIDE MITER CORNER
- LEFT ENDWALL (COPING)
- RIGHT END CAP
- RIGHT ENDWALL (SPLICE)
- LEFT END CAP
- LEFT ENDWALL (SPLICE)
- TAPE SEALANT (40' ROLLS)

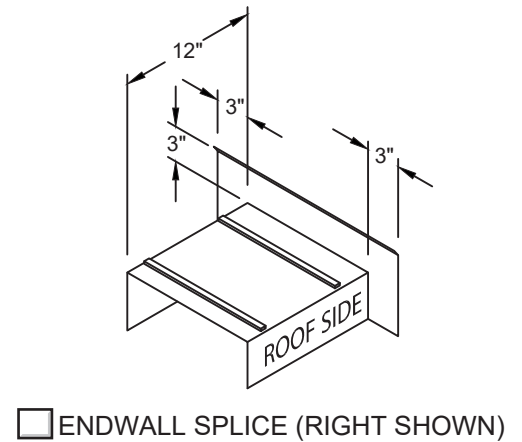
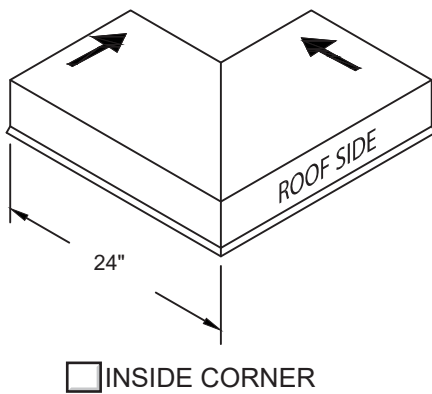
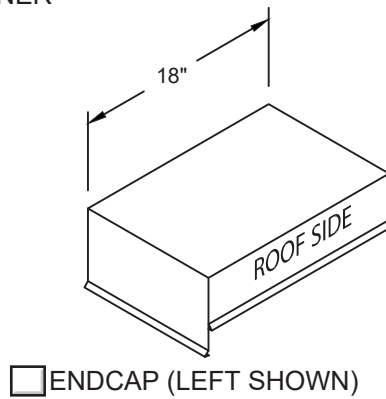
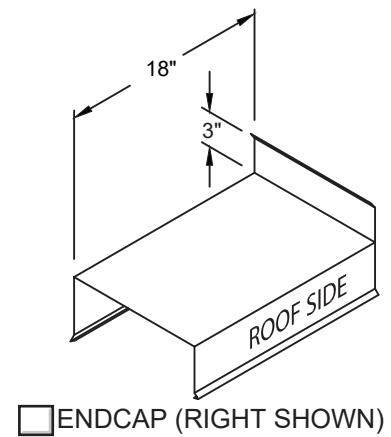
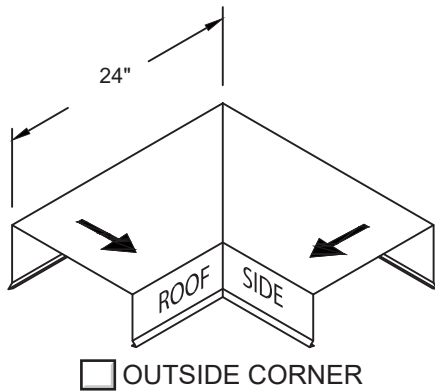
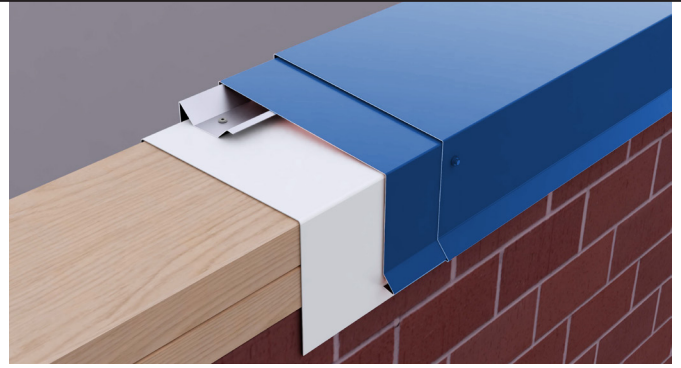
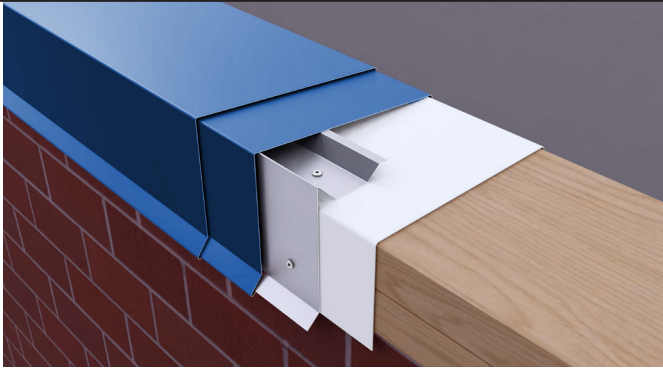
\*\*All accessories will be assembled using rivets.

\*\*We do not offer welded accessories. Welding painted material will void your 40 year finish warranty.

PROJECT: \_\_\_\_\_ ADDRESS: \_\_\_\_\_

ARCHITECT: \_\_\_\_\_ CONTRACTOR/DISTRIBUTOR: \_\_\_\_\_

NOTES:



ADDITIONAL ACCESSORIES ARE AVAILABLE  
**\*\*Please attach sketches or call us for assistance\*\***