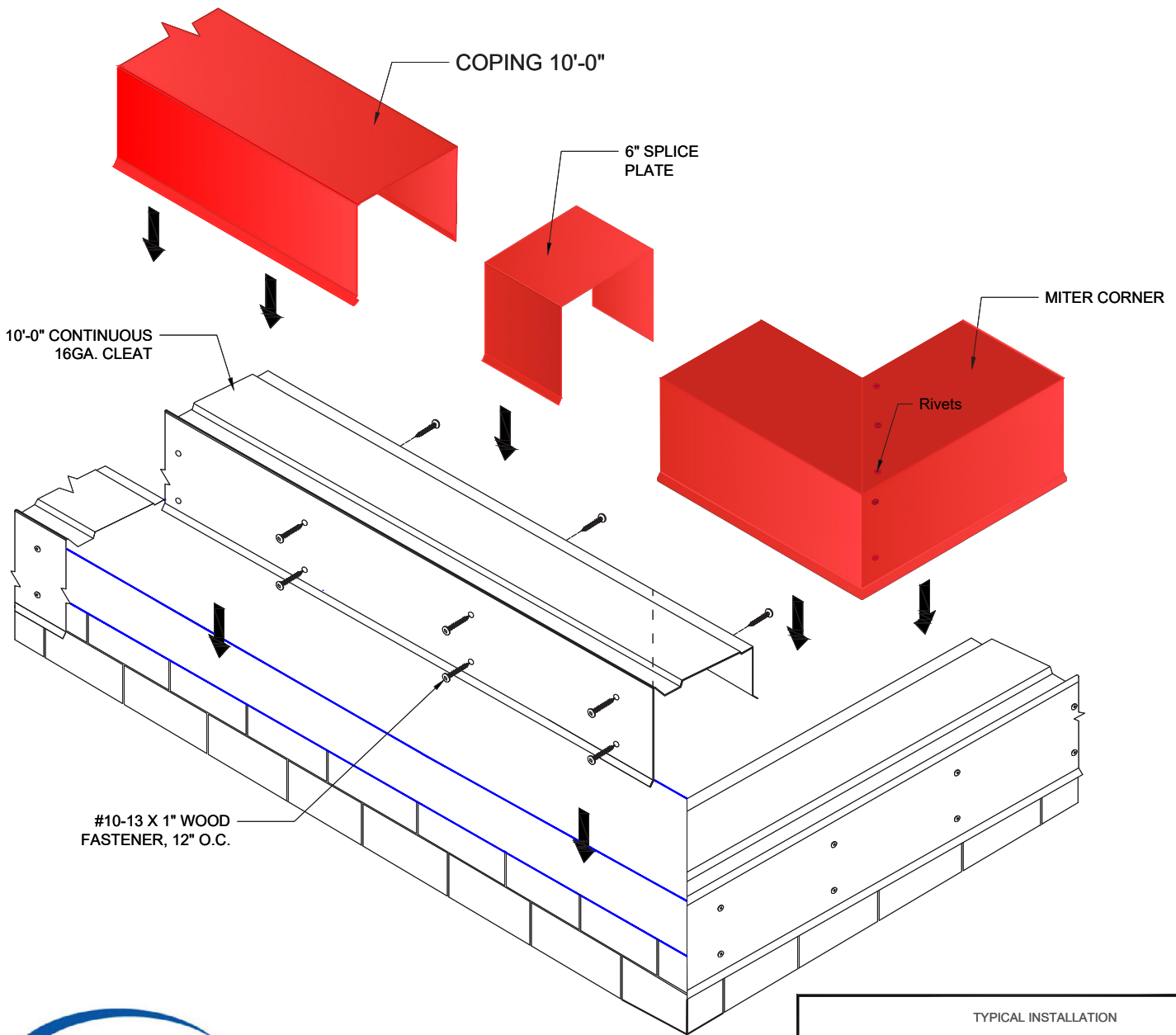


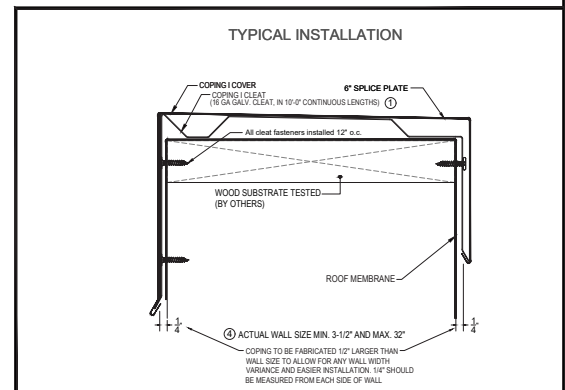


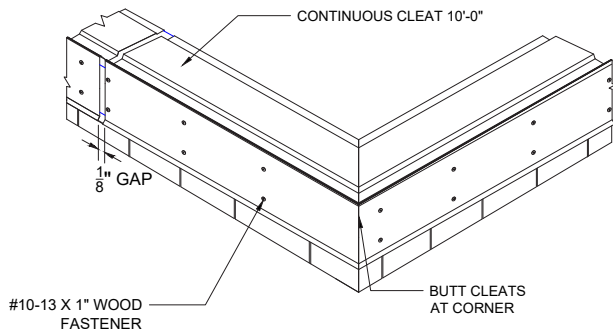
# PERMAEDGE MANUFACTURED BY PRACTICAL METALS

## PERMAEDGE COPING 2 INSTALLATION INSTRUCTIONS



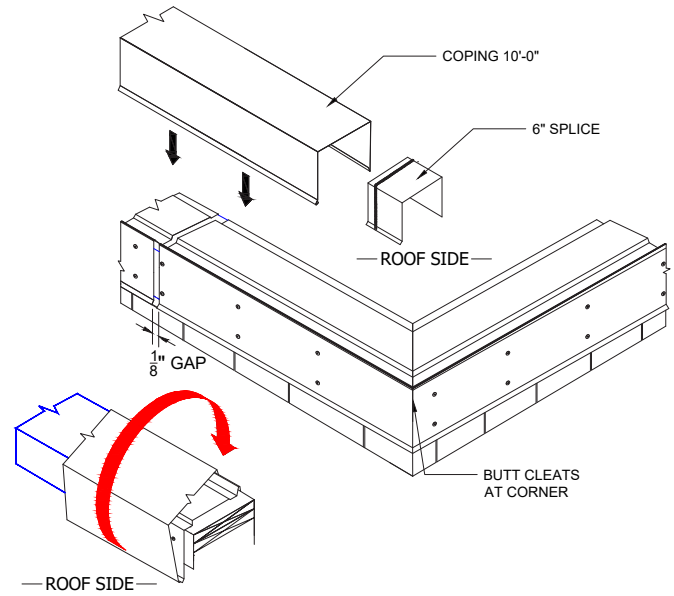
**NOTE:** REMOVE PROTECTIVE FILM BEFORE INSTALLATION.





**Step 1: Installation using 20 gauge 10'-0" galvanized cleats.**

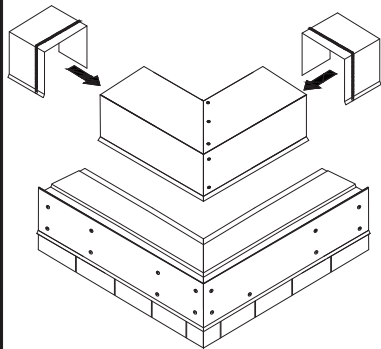
Installer needs to ensure to use proper membrane over parapet wall from flat roof manufacturer. You will need to miter at corner cleats and then butt together to ensure proper fit. Installing cleats working away from the corner allowing 1/8" gaps between each 10-0" section for thermal movement. Install cleats using (2) #10-13 x 1" GP screws in front and at back every 12" on center. All 20 gauge galvanized cleats are pre-punched.



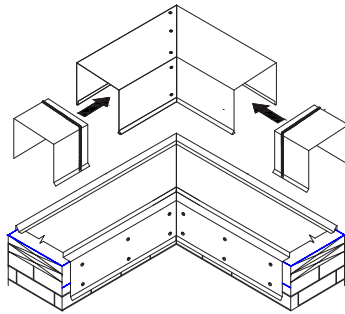
**Step 3: Snap-on Coping Installation**

Make sure cleats line up with the ends of the coping. Apply a bead of sealant over the 6" provided splice plate. Hook the back on first at roof side, push down at top front of coping so that the front hem of cleat engages to the coping hem. Once you release the coping will be securely attached. All copings by Englert comes in 10'-0" increments.

**OUTSIDE CORNER**

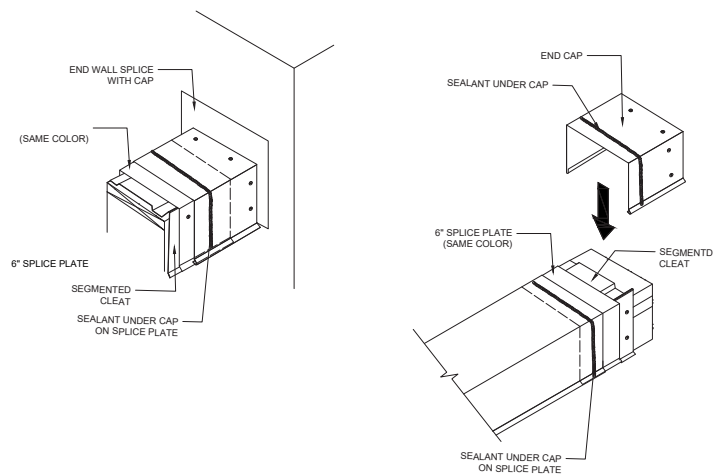


**INSIDE CORNER**



**Step 2: Snap-on Miter Corner Installation**

Make sure the cleat lines up centered with the ends of the miter. Apply a bead of sealant inside on each end of splice plate. Install splice plate into each end of the miter. Hook miter corner back on first at roof side, push down at top front of miter so that the front hem of cleat engages to the miter hem.



**Step 4: Snap-on Coping End Terms & End Caps**

Rivet the end cap and end term caps into place. Apply a bead of tube sealant and install a 6" splice plate into the end term or end cap. Install end caps and end terms by hooking the back on first, pushing down at top front of miter so that the front hem of cleat engages to the hem.