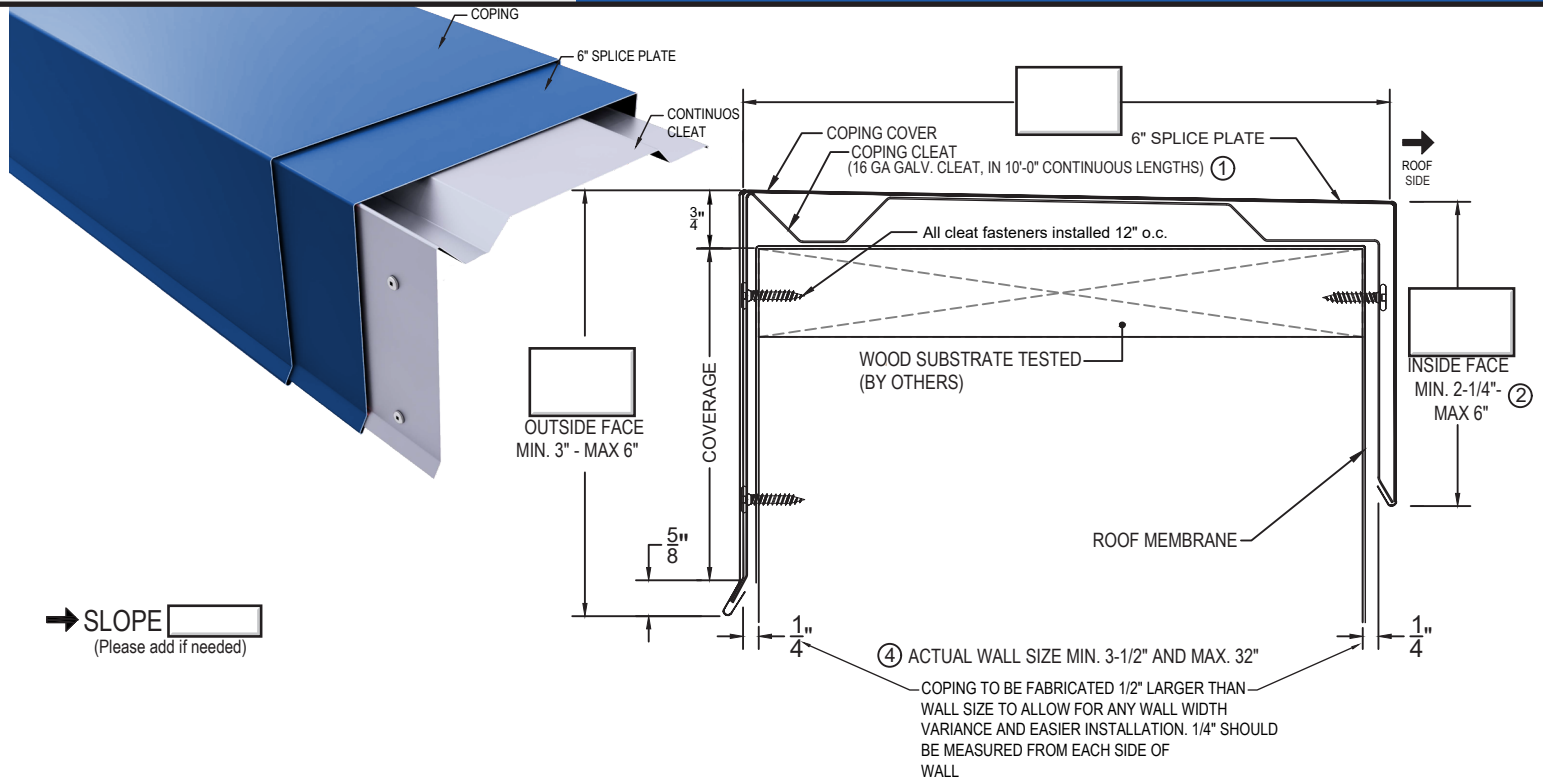




PERMAEDGE MANUFACTURED BY PRACTICAL METALS

PERMAEDGE COPING 2



MATERIAL:

CHOOSE YOUR COLOR: _____ KYNAR FINISH

TYPE CUSTOM COLOR: _____ KYNAR FINISH

Available Gauges Below:

- 24 GA. GALVALUME .040 ALUMINUM ③ .063 ALUMINUM ③
- 22 GA. GALVALUME ③ .050 ALUMINUM ③

TYPE QUANTITY: _____ LINEAR FT (10'-0" LENGTHS)

AUTHORIZED SIGNATURE:

APPROVED BY: _____

DATE: _____

CERTIFICATIONS:



ES1 TESTED & CERTIFIED
 .040" Aluminum = 90 PSF
 24 GA Steel = 60 PSF

NOTES:

- ① INCLUDES 16 GA. GALV. CONTINUOUS CLEAT (10'-0") . FASTENERS INSTALLED 12" O.C.
- ② MAXIMUM TESTED INSIDE FACE IS 6".
- ③ MINIMUM QUANTITY ON CERTAIN ITEMS.
- ④ WALL SIZE INCLUDES THE MEMBRANE FLASHING THICKNESS.

ACCESSORY QUANTITIES:

IMAGES ARE ON 2ND PAGE

- OUTSIDE MITER CORNER RIGHT ENDWALL (COPING)
- INSIDE MITER CORNER LEFT ENDWALL (COPING)
- RIGHT END CAP RIGHT ENDWALL (SPLICE)
- LEFT END CAP LEFT ENDWALL (SPLICE)
- TAPE SEALANT (40' ROLLS)

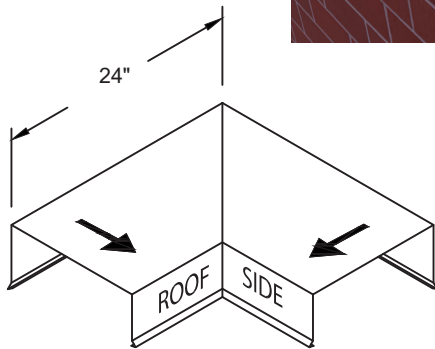
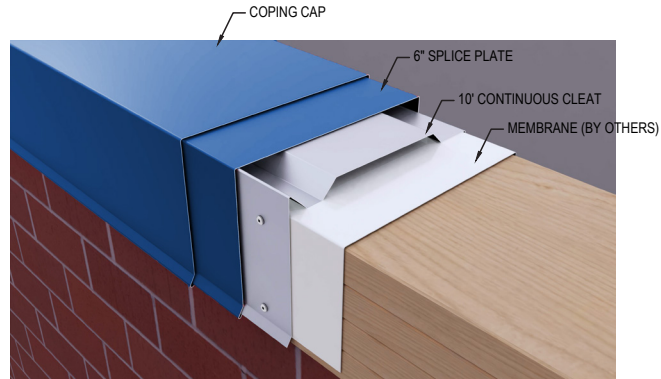
**All accessories will be assembled using rivets.

**We do not offer welded accessories. Welding painted material will void your 40 year finish warranty.

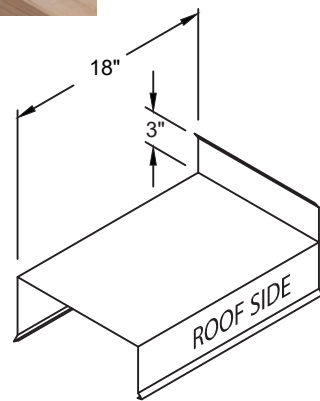
PROJECT: _____ ADDRESS: _____

ARCHITECT: _____ CONTRACTOR/DISTRIBUTOR: _____

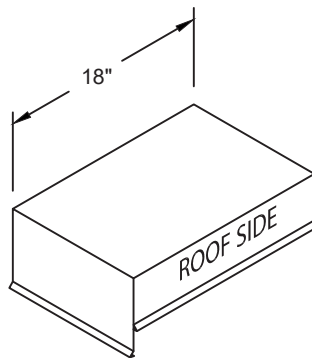
NOTES:



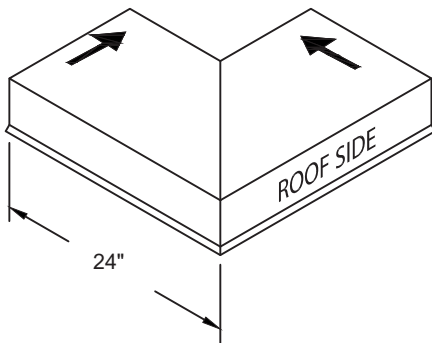
☐ OUTSIDE CORNER



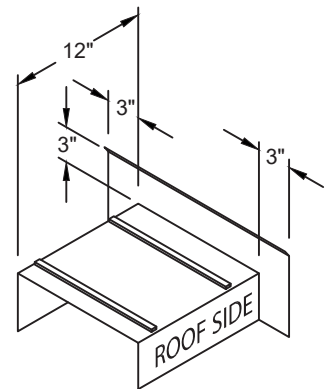
☐ ENDCAP (RIGHT SHOWN)



☐ ENDCAP (LEFT SHOWN)



☐ INSIDE CORNER



☐ ENDWALL SPLICE (RIGHT SHOWN)

ADDITIONAL ACCESSORIES ARE AVAILABLE
****Please attach sketches or call us for assistance****