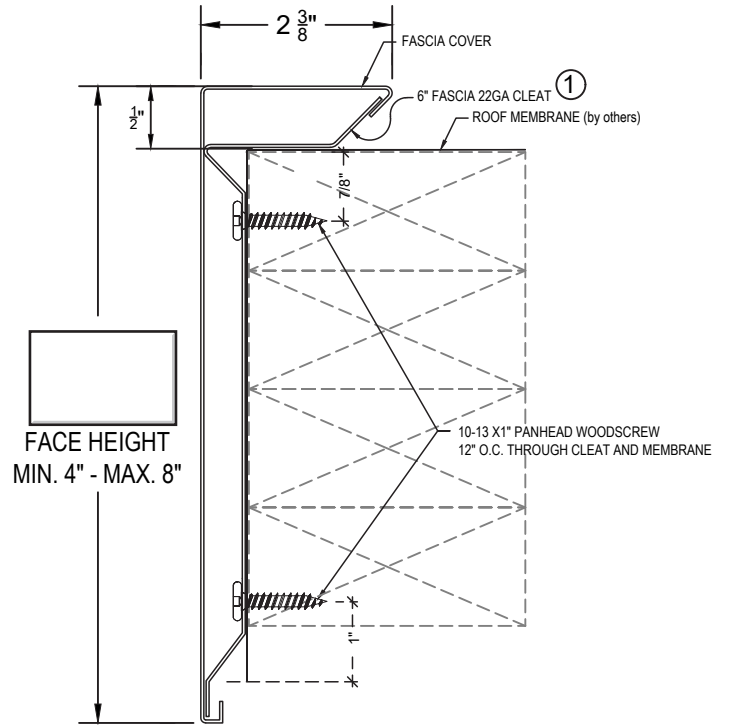
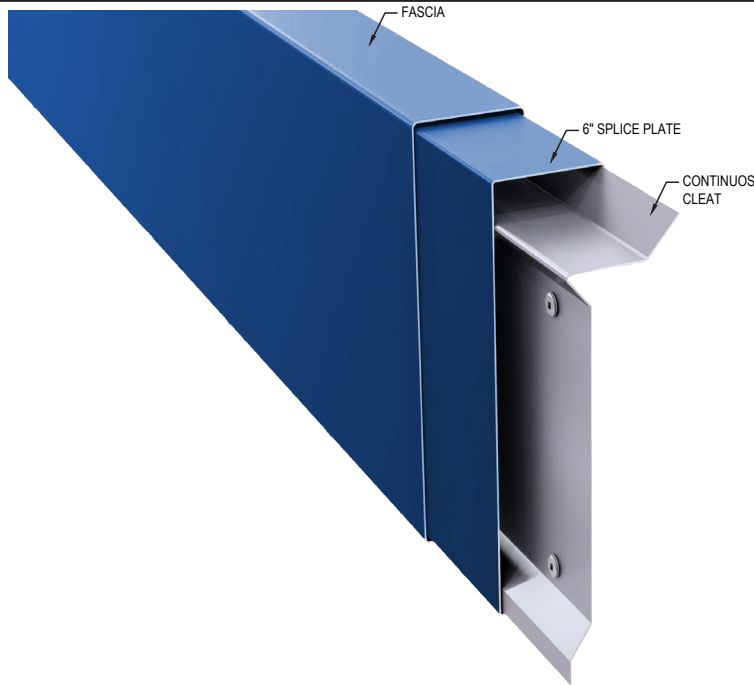




PERMAEDGE MANUFACTURED BY PRACTICAL METALS

PERMAEDGE FASCIA



MATERIAL:

CHOOSE YOUR COLOR: _____ KYNAR FINISH

TYPE CUSTOM COLOR: _____ KYNAR FINISH

Available Gauges Below:

- 24 GA. GALVALUME .040 ALUMINUM ③ .063 ALUMINUM ③
 22 GA. GALVALUME ③ .050 ALUMINUM ③

TYPE QUANTITY: _____ LINEAR FT (10'-0" LENGTHS)

NOTES:

- ① INCLUDES 10' CONTINUOUS CLEAT, 22GA. GALV.
- ② 6" SPLICE PLATE
- ③ MINIMUM QUANTITY ON CERTAIN ITEMS.

AUTHORIZED SIGNATURE:

APPROVED BY: _____

DATE: _____

CERTIFICATIONS:



ES1 TESTED & CERTIFIED

.040" Aluminum = 210 PSF

24 GA Steel = 75 PSF

ACCESSORY QUANTITIES:

- OUTSIDE MITER CORNER RIGHT END CAP
 INSIDE MITER CORNER LEFT END CAP
 TAPE SEALANT (40' ROLLS)

**All accessories will be assembled using rivets.

**We do not offer welded accessories. Welding painted material will void your 40 year finish warranty.

PROJECT: _____ ADDRESS: _____

ARCHITECT: _____ CONTRACTOR/DISTRIBUTOR: _____

NOTES: