



# SERIES 3000 PANEL SYSTEM



## STRUCTURAL SYSTEM FOR COMMERCIAL AND INSTITUTIONAL

### 3" STRUCTURAL AND ARCHITECTURAL MECHANICALLY SEAMED PANEL SYSTEM

Designed for heavy industrial and large commercial buildings with low slope, long panel runs and wide span structural requirements, Englert's Series 3000T mechanically seamed, snap lock panel is noted for its durability and ruggedness. A major benefit of this profile is the ability to easily remove and replace damaged panels without uprooting an entire roof.

### SYSTEM APPLICATIONS

- Consists of a metal panel and seam cap
- Heavy duty for commercial and industrial use
- ½" / 12" minimum slope
- Can be installed bi-directionally
- Employs two beads of continuous applied hot melt sealant inside the seam cap during manufacturing

### SUBSTRATES

- 24 and 22 gauge steel
- .032" and .040" aluminum



**ENGLERT**<sup>®</sup>  
a Great Day Improvements brand

**SERIES 3000 PANEL SYSTEM**



# SERIES 3000 PANEL SYSTEM



## FINISHES

Englert's Series 3000 system is available in a wide variety of coatings and colors. See the Englert color card for our full range of standard colors and paint system specifications.

Englert can match the color of virtually any material – including brick, wood and fabric – with short lead times as needed. Custom colors are available in quantities as low as 5,000 lbs. on steel or aluminum.

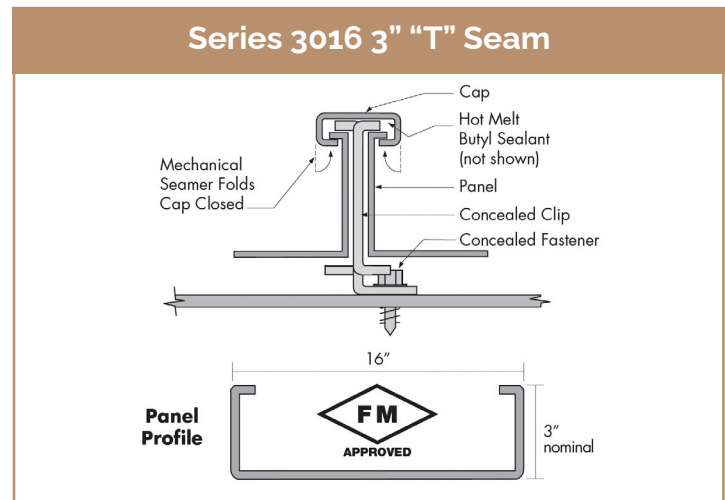
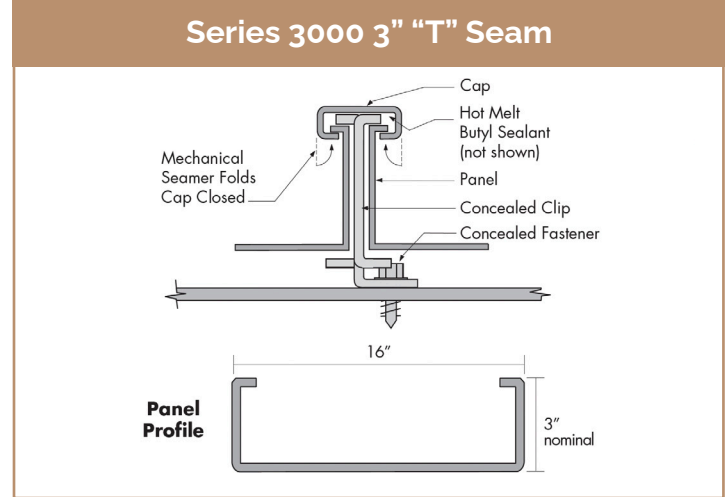
## SYSTEM WARRANTIES

- Galvalume Plus® – 25-year steel warranty on acrylic coated Galvalume®
- PermaColor 3500 – 35-year/Low Gloss/ULTRA-Cool™ finish warranty on our Kynar 500®/Hylar 5000® coatings
- PermaMetallic 3500 – 35-year/Low Gloss/ULTRA-Cool™ finish warranty on our Kynar 500®/Hylar 5000® coatings

## RATINGS AND CERTIFICATIONS

- ASTM-E-1646-95 water penetration tested
- ASTM-E-1680-95 air infiltration tested
- ASTM-E-2140 hydrostatic head test
- ASTM-E-1592-98 uplift tested
- Factory Mutual rated class 4471 (Model 3016)
- Florida Building Code listed

Distributed by:



Allowable Uniform Live Load (PSF)					
Thickness	No. of Spans	4'-6"	5'-0"	5'-6"	6'-0"
<b>16" WIDTH - STEEL</b>					
24 ga.	3 or more	295	166	106	73
22 ga.	3 or more	379	213	136	94
<b>16" WIDTH - ALUMINUM</b>					
.032"	3 or more	117	66	42	29
.040"	3 or more	174	98	63	43
<b>18" WIDTH - STEEL</b>					
24 ga.	3 or more	258	145	93	64
22 ga.	3 or more	332	186	119	83
<b>18" WIDTH - ALUMINUM</b>					
.032"	3 or more	102	57	37	25
.040"	3 or more	151	85	54	38

*Note: Load values shown may be increased by 1/3 for allowable wind load.*