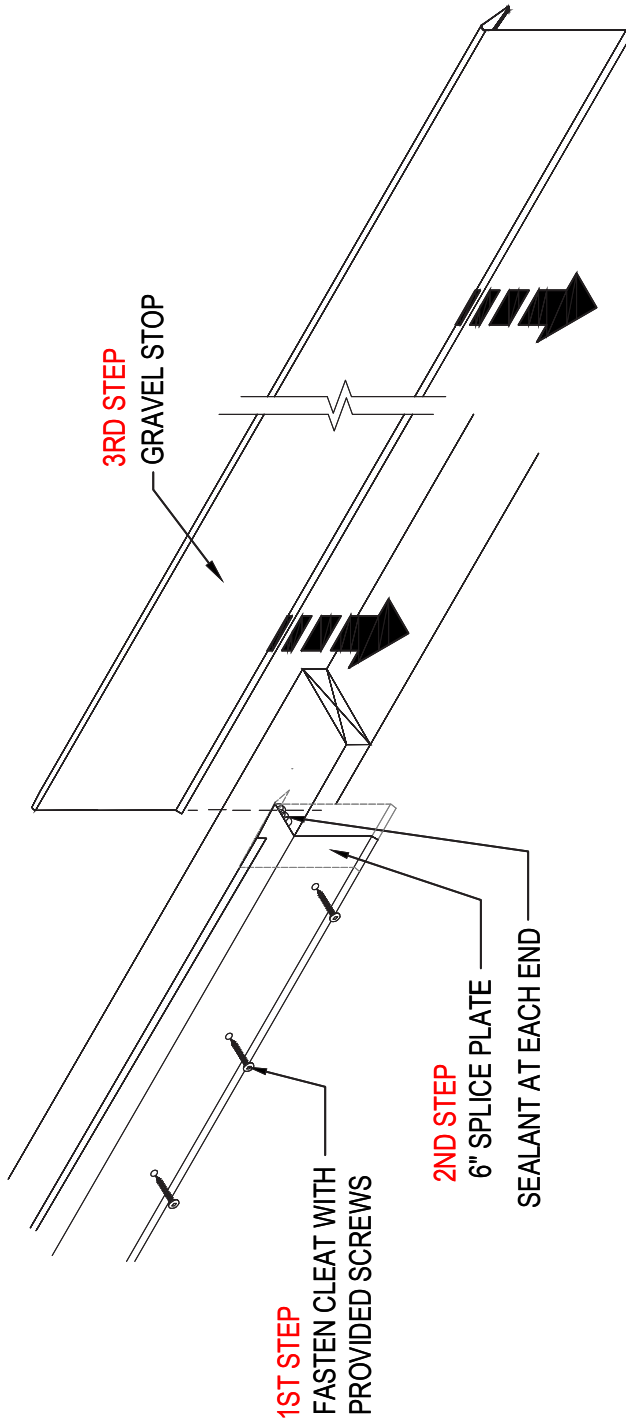


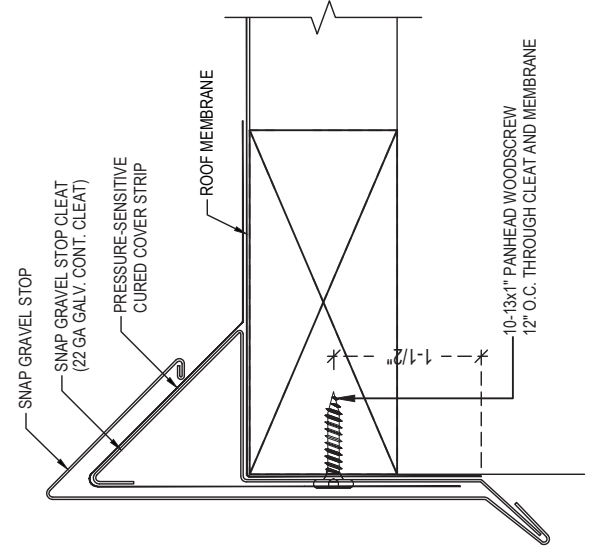


# PERMAEDGE MANUFACTURED BY PRACTICAL METALS

## PERMAEDGE GS1 INSTALLATION INSTRUCTIONS



### TYPICAL INSTALLATION



STEP 1, INSTALL 22 GA. GRAVEL STOP CLEAT WITH PROVIDED SCREWS FROM MANUFACTURER. INSTALL 12" O.C. AND MAKE SURE TO ADD SEALANT AT SEAMS.

STEP 2 INSTALL 6" SPLICE PLATE (10' INCREMENTS).

STEP 3 INSTALL SNAP-ON GRAVEL STOP. (PUSH GRAVEL STOP DOWN UNTIL IT HOOKS INTO THE HEM ON THE CLEAT.

**NOTE:** REMOVE PROTECTIVE FILM IMMEDIATELY AFTER INSTALLATION.