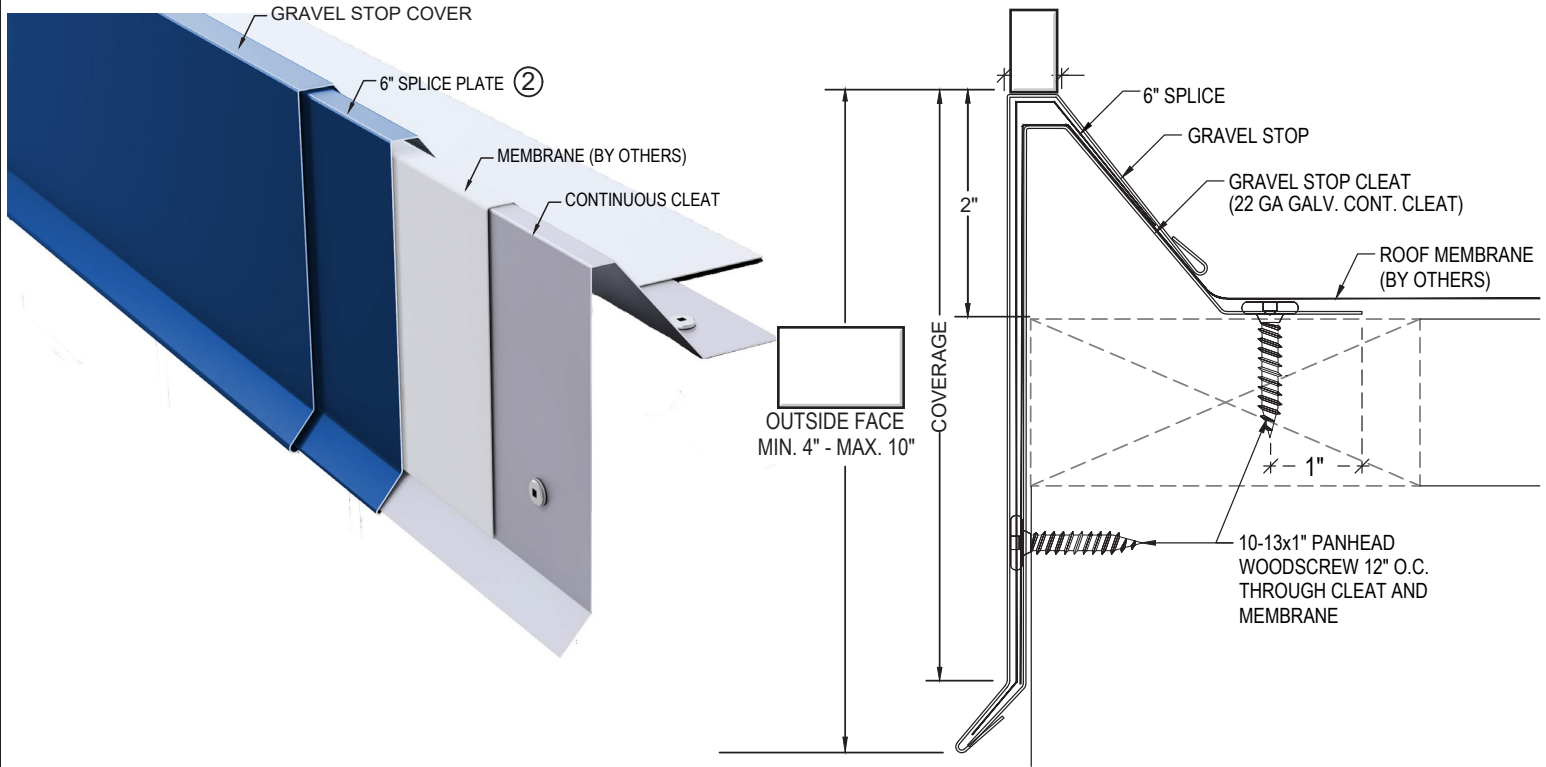




# PERMAEDGE MANUFACTURED BY PRACTICAL METALS

## PERMAEDGE GS2



### MATERIAL:

CHOOSE YOUR COLOR: \_\_\_\_\_ KYNAR FINISH

TYPE CUSTOM COLOR: \_\_\_\_\_ KYNAR FINISH

**Available Gauges Below:**

- 24 GA. GALVALUME     .040 ALUMINUM ③     .063 ALUMINUM ③
- 22 GA. GALVALUME ③     .050 ALUMINUM ③

TYPE QUANTITY: \_\_\_\_\_ LINEAR FT (10'-0" LENGTHS)

### AUTHORIZED SIGNATURE:

APPROVED BY: \_\_\_\_\_

DATE: \_\_\_\_\_

### CERTIFICATIONS:



**ES1 TESTED & CERTIFIED**

.040" Aluminum = 180 PSF  
24 GA Steel = 30 PSF

### NOTES:

- ① INCLUDES 10' CONTINUOUS CLEAT, 22GA. GALV.
- ② 6" SPLICE PLATE
- ③ MINIMUM QUANTITY ON CERTAIN ITEMS.

### ACCESSORY QUANTITIES:

IMAGES ARE ON 2ND PAGE

- OUTSIDE MITER CORNER     RIGHT ENDWALL (COPING)
- INSIDE MITER CORNER     LEFT ENDWALL (COPING)
- TAPE SEALANT (40' ROLLS)

\*\*All accessories will be assembled using rivets.

\*\*We do not offer welded accessories. Welding painted material will void your 40 year finish warranty.

PROJECT: \_\_\_\_\_ ADDRESS: \_\_\_\_\_

ARCHITECT: \_\_\_\_\_ CONTRACTOR/DISTRIBUTOR: \_\_\_\_\_

NOTES: