



SERIES 1300/1301 PANEL SYSTEM



ARCHITECTURAL SYSTEM FOR COMMERCIAL AND RESIDENTIAL

1" AND 1-1/2" ARCHITECTURAL MECHANICALLY SEAMED PANEL SYSTEM

The Englert Series 1300/1301 systems are designed for sloped roofs and other exterior surfaces of light commercial or residential projects. Both profiles use concealed clips and fasteners and both must be mechanically seamed to qualify for Englert's weather tightness warranty.

SYSTEM APPLICATIONS

- Light duty for residential and commercial use
- ½"/12" minimum slope
- Must be installed over a solid deck (For all applications 3"/12" slope and under, manufacturer recommends the use of MetalMan HT Underlayment)

SUBSTRATES

- 26 and 24 gauge steel
- .032" aluminum
- 16 oz. copper
- .7 and .8 mm zinc (Rheinznk)





SERIES 1300/1301 PANEL SYSTEM

FINISHES

Englert's Series 1300/1301 system is available in a wide variety of coatings and colors. See the Englert color card for our full range of standard colors and paint system specifications.

Englert can match the color of virtually any material – including brick, wood and fabric – with short lead times as needed. Custom colors are available in quantities as low as 5,000 lbs. on steel or aluminum.

SYSTEM WARRANTIES

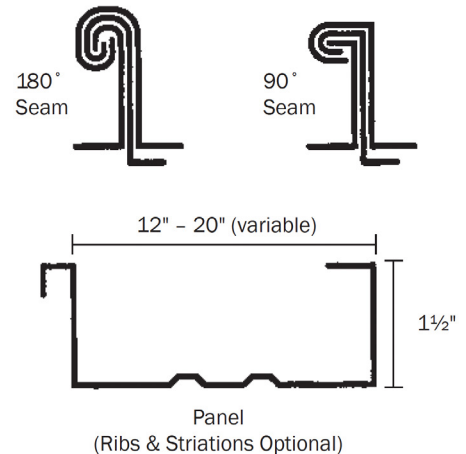
- Galvalume Plus® – 25 year steel warranty on acrylic coated Galvalume®
- Perma-color 3500 – 35 year steel or aluminum warranty on ULTRA-Cool™/low-gloss Kynar 500® coatings
- Perma-Metallic 2000 – 20 year steel or aluminum warranty on Kynar 500® coating
- Siliconized Modified Polyester – 15-year steel or aluminum coating warranty

RATINGS AND CERTIFICATIONS (1300 ONLY)

- UL-90 rated over 1/2" plywood at 16" wide with clips at 48" o.c. (24 ga. steel)
- ASTM E-1646 water penetration tested
- ASTM E-1680 air infiltration tested
- ASTM E-1592 uplift tested
- ASTM E-84 Class A fire rating on coating and substrate (24 ga. steel)
- Florida Building Code product approval listed
- Metro-Dade County certified



Series 1300 1-1/2" Mechanically Seamed Series 1301 1" Mechanically Seamed



Distributed by: